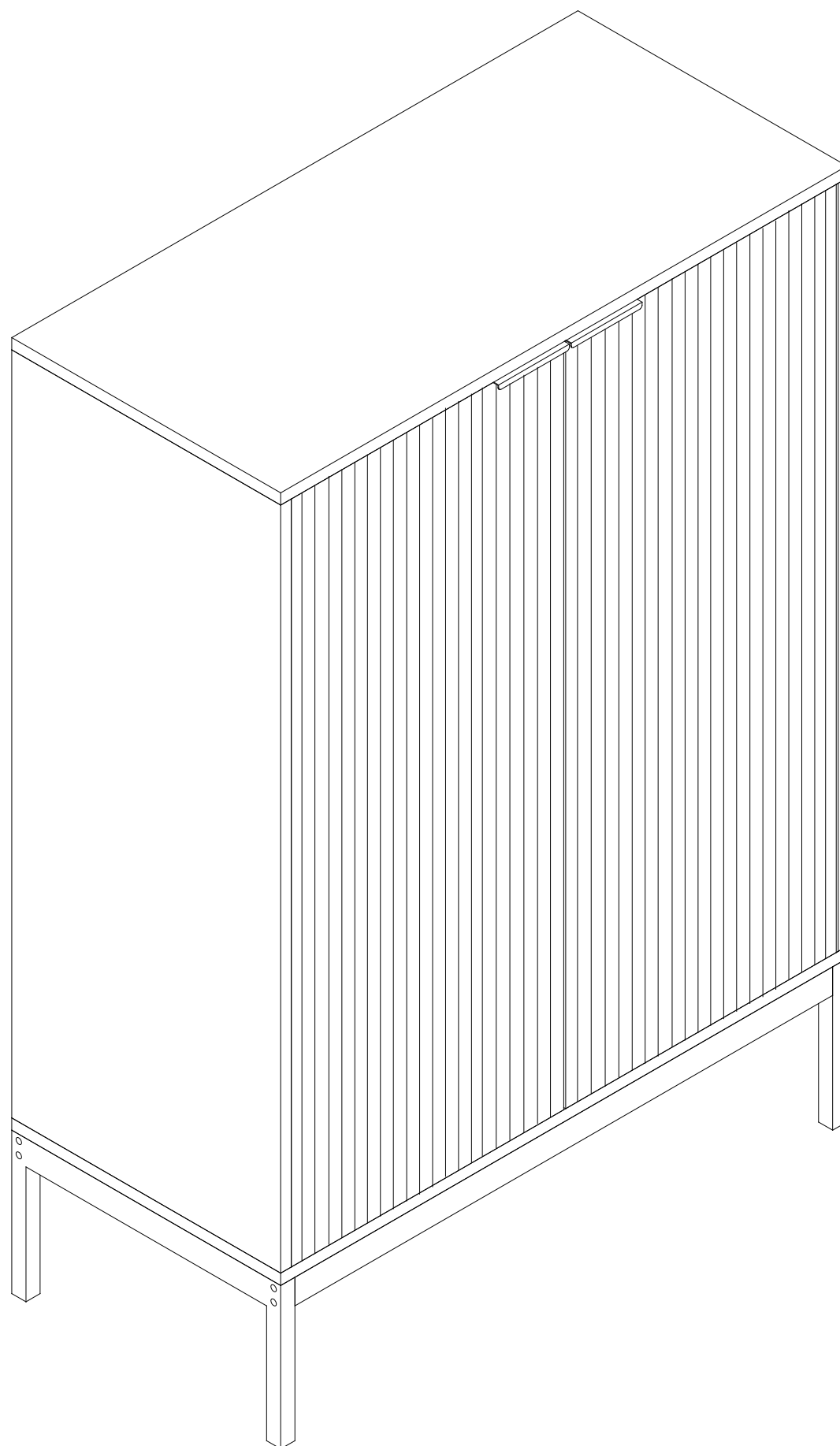
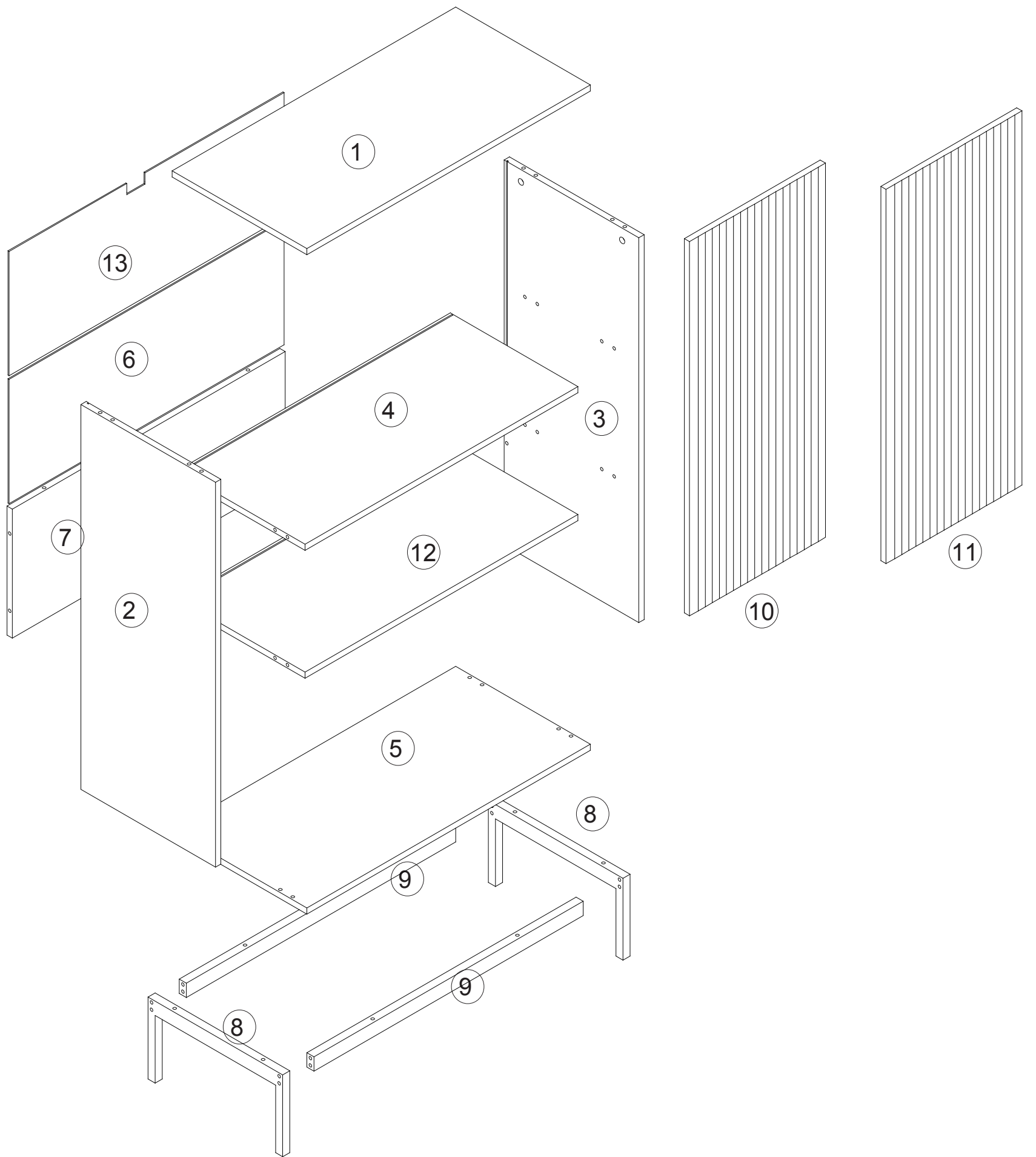
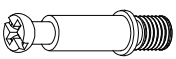
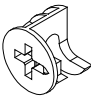
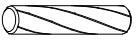
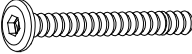
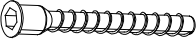
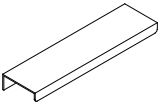
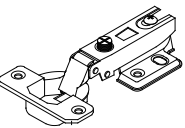
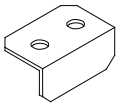
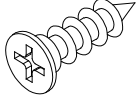
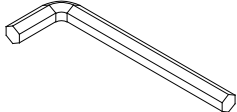
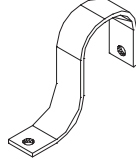
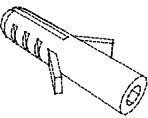
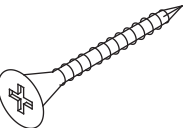


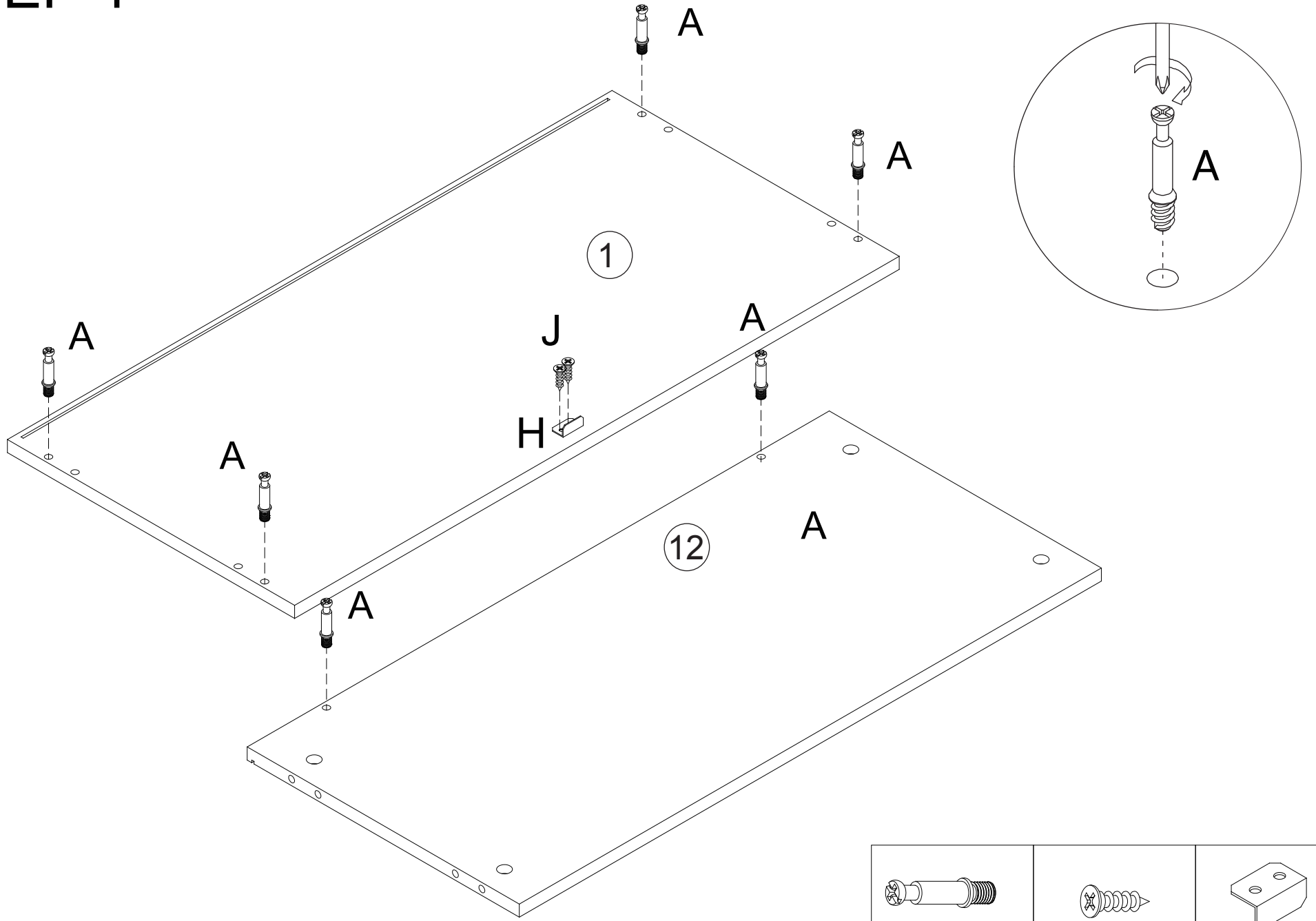
# ASSEMBLY INSTRUCTION

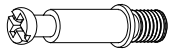

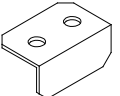




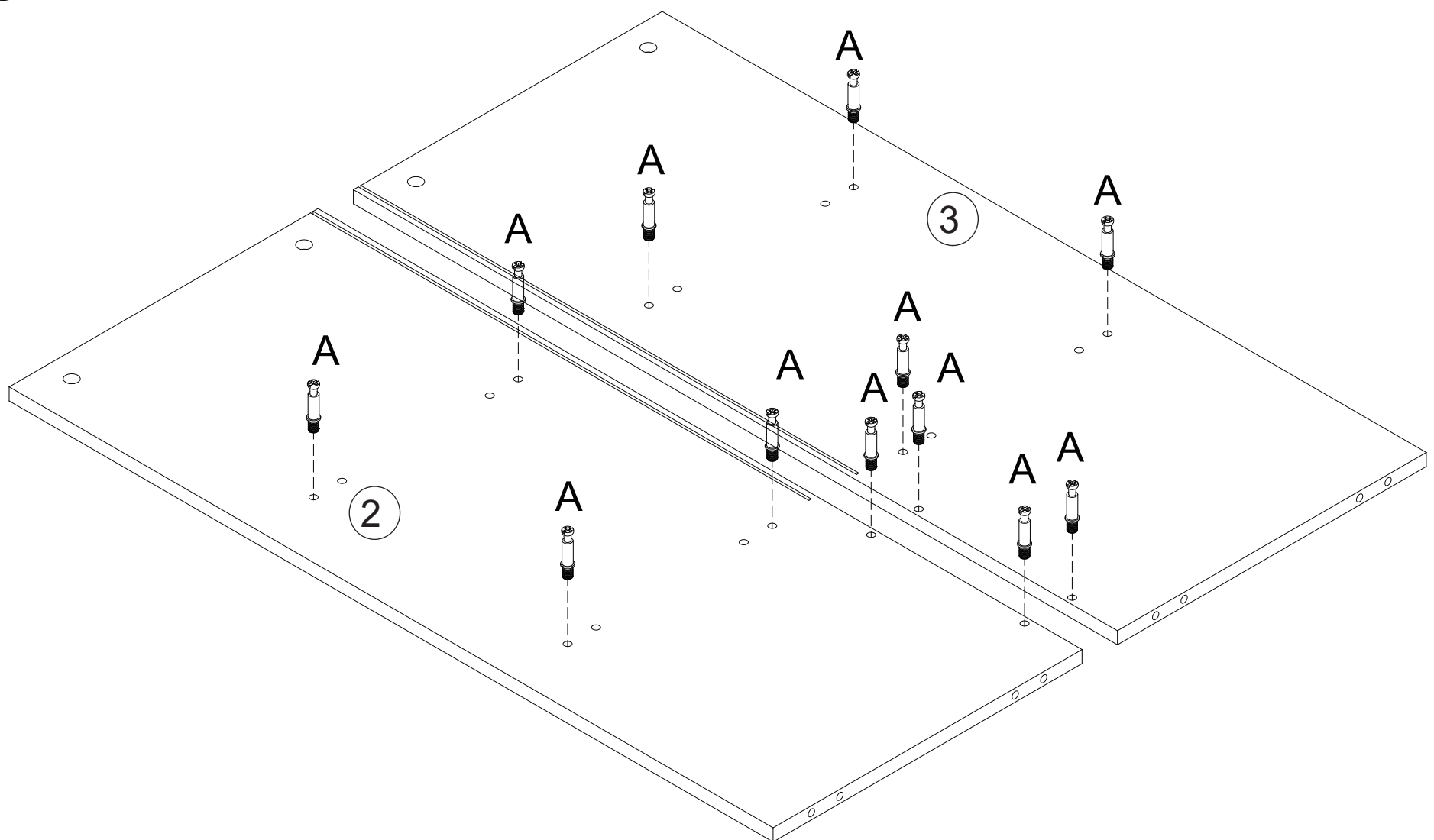
 <b>A x 18</b>	 <b>B x 18</b>	 <b>C x 16</b>	 <b>M6 x 40</b> <b>D x 16</b>	 <b>7 x 38</b> <b>E x 6</b>	 <b>F x 2</b>
 <b>G x 6</b>	 <b>H x 1</b>	 <b>3.5 x 14</b> <b>J x 43</b>	 <b>K x 1</b>	 <b>L x 1</b>	 <b>M x 1</b>
 <b>N x 1</b>					

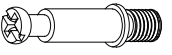
# STEP 1



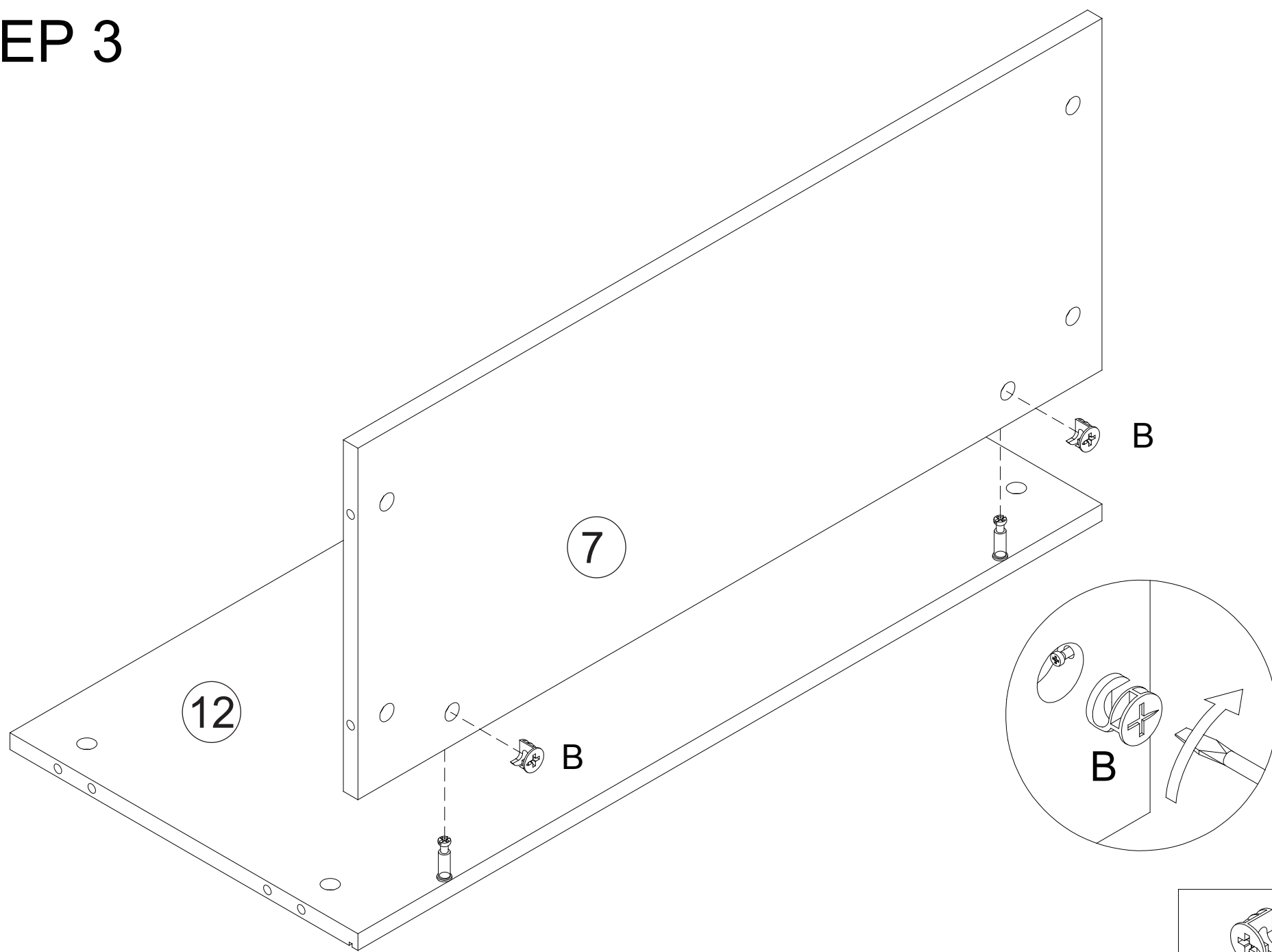
		
A x 6	J x 2	H x 1

# STEP 2

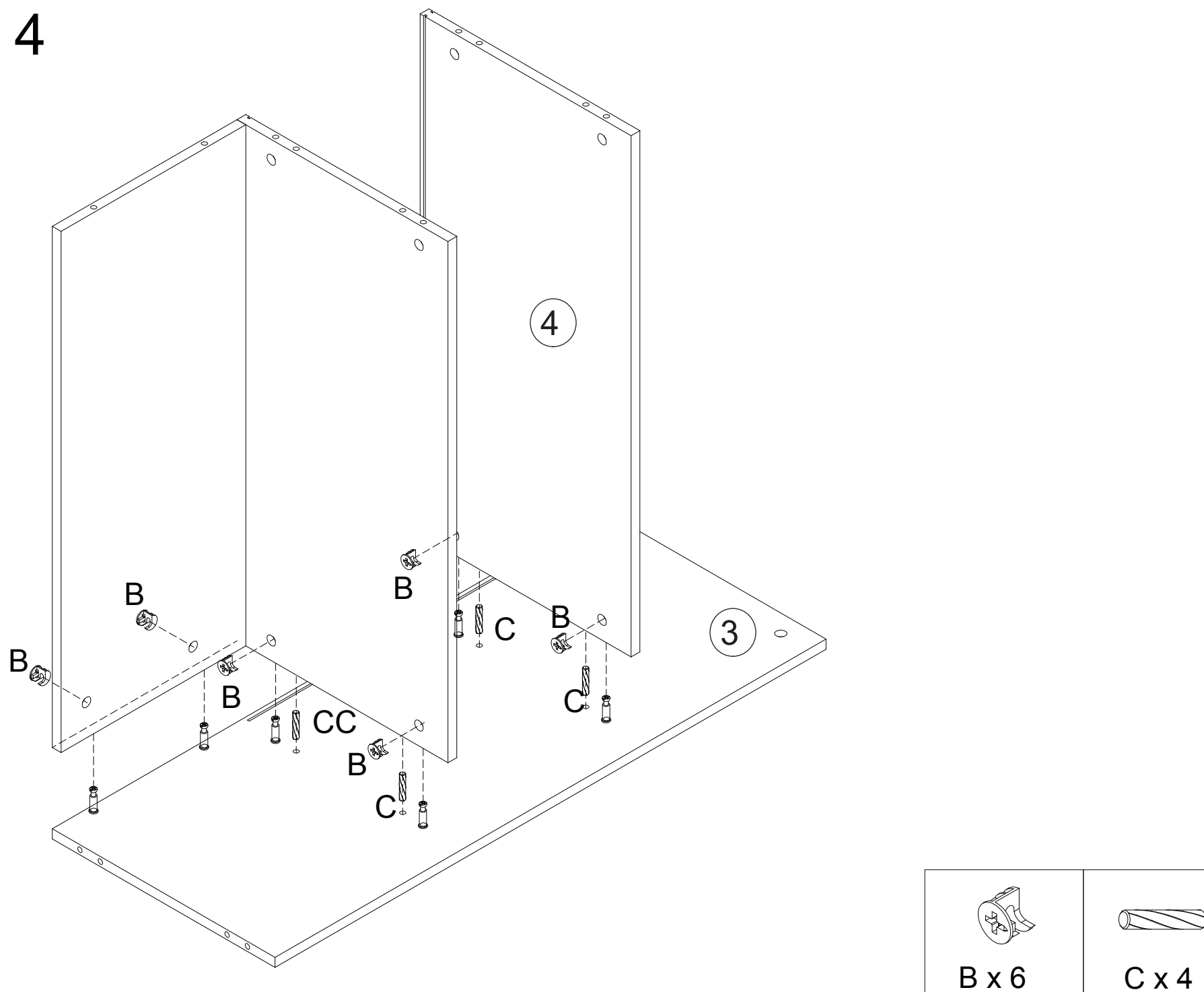



A x 12

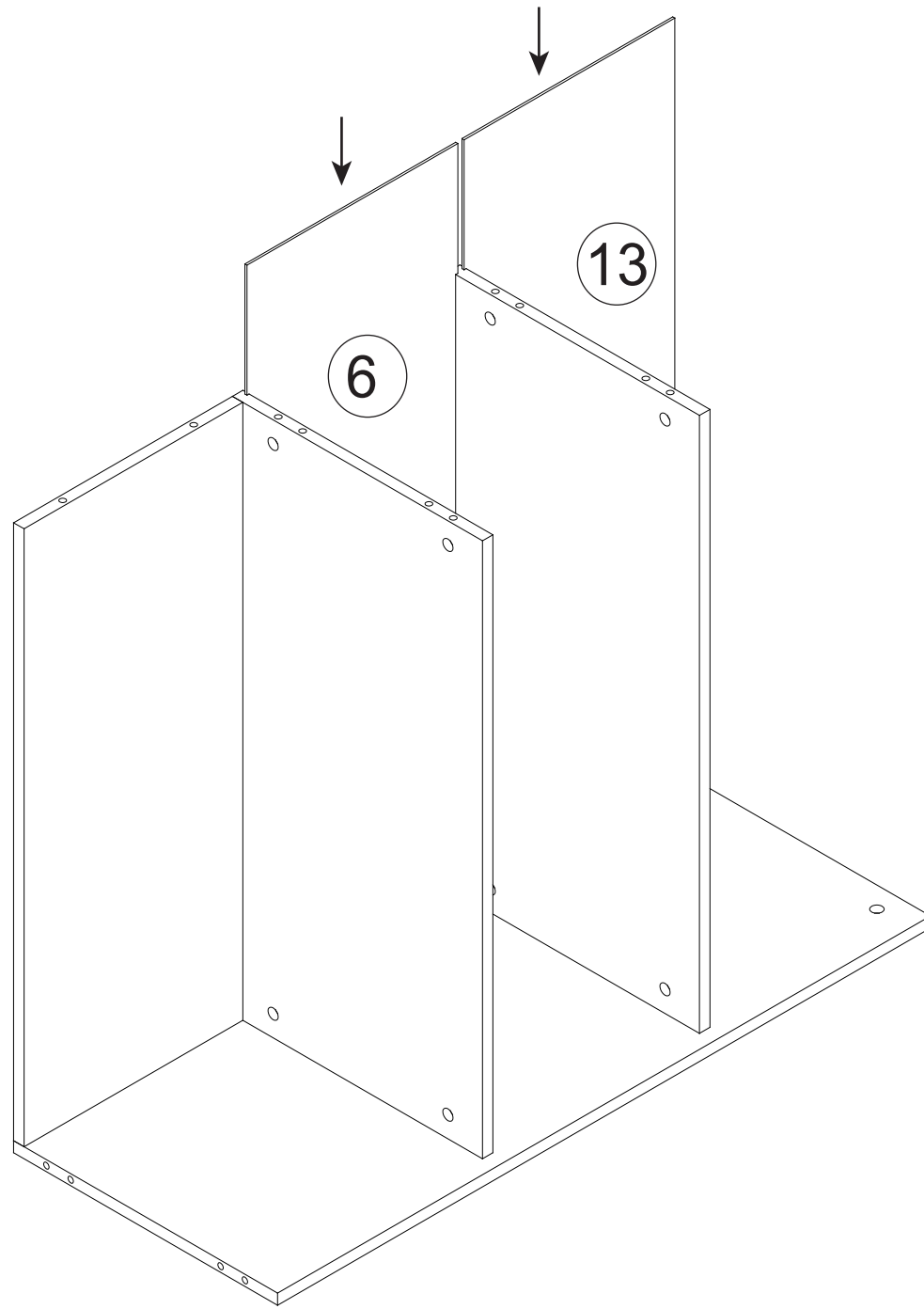
# STEP 3



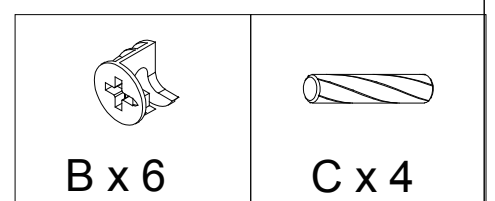
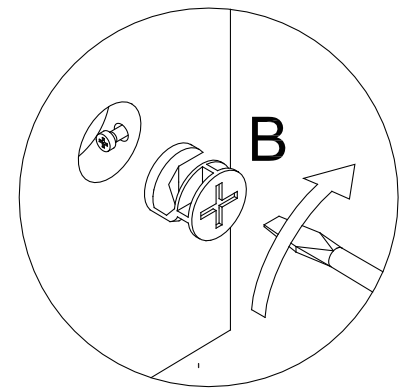
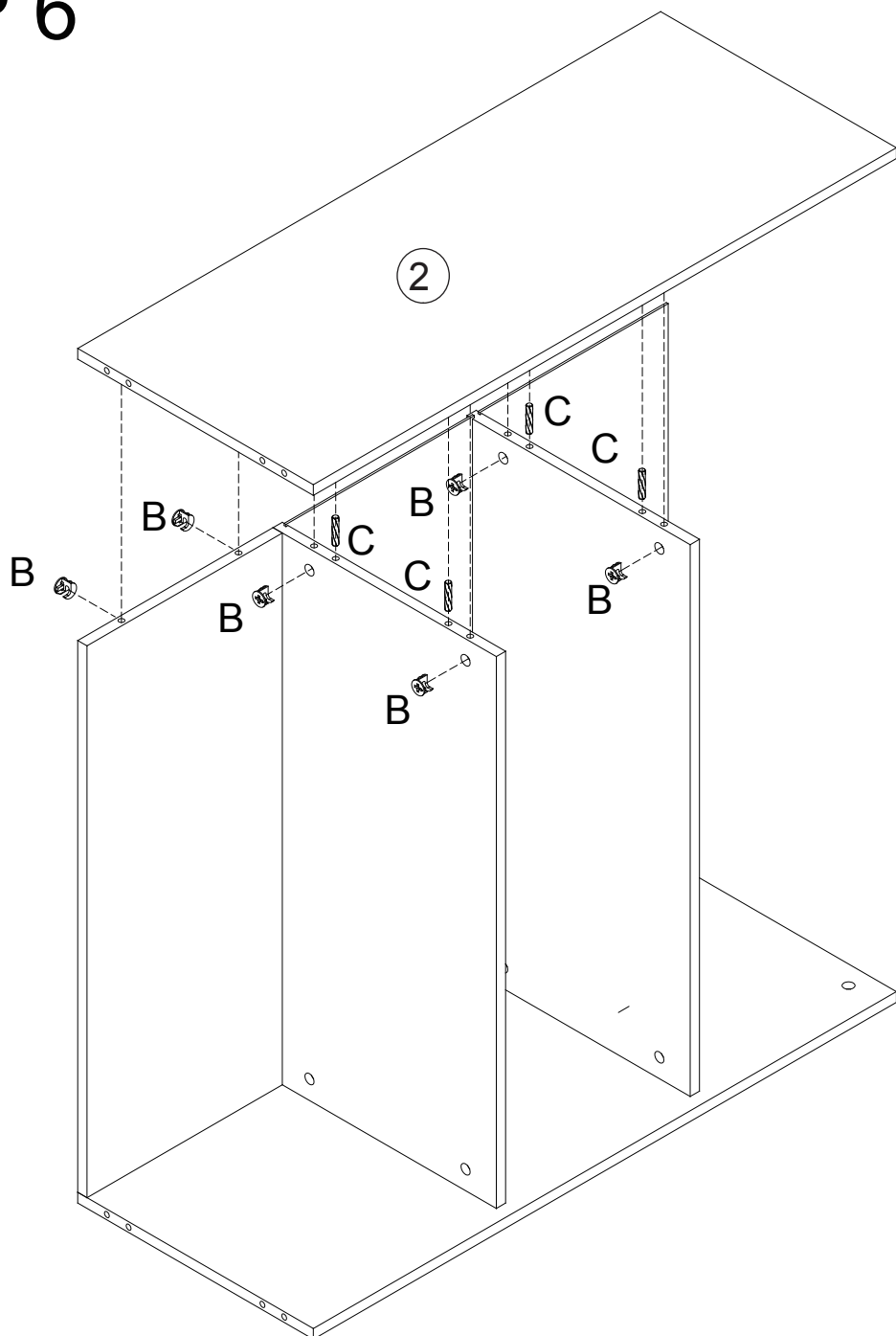
# STEP 4



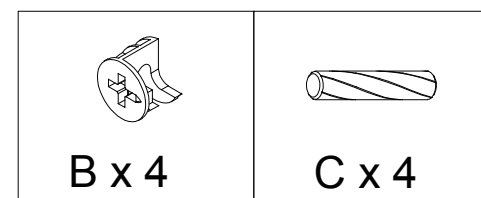
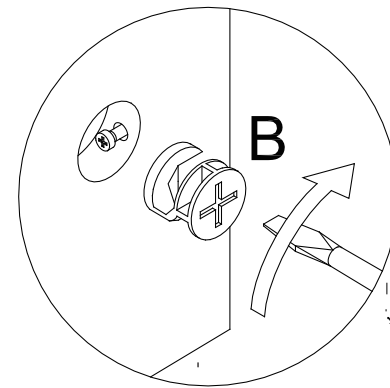
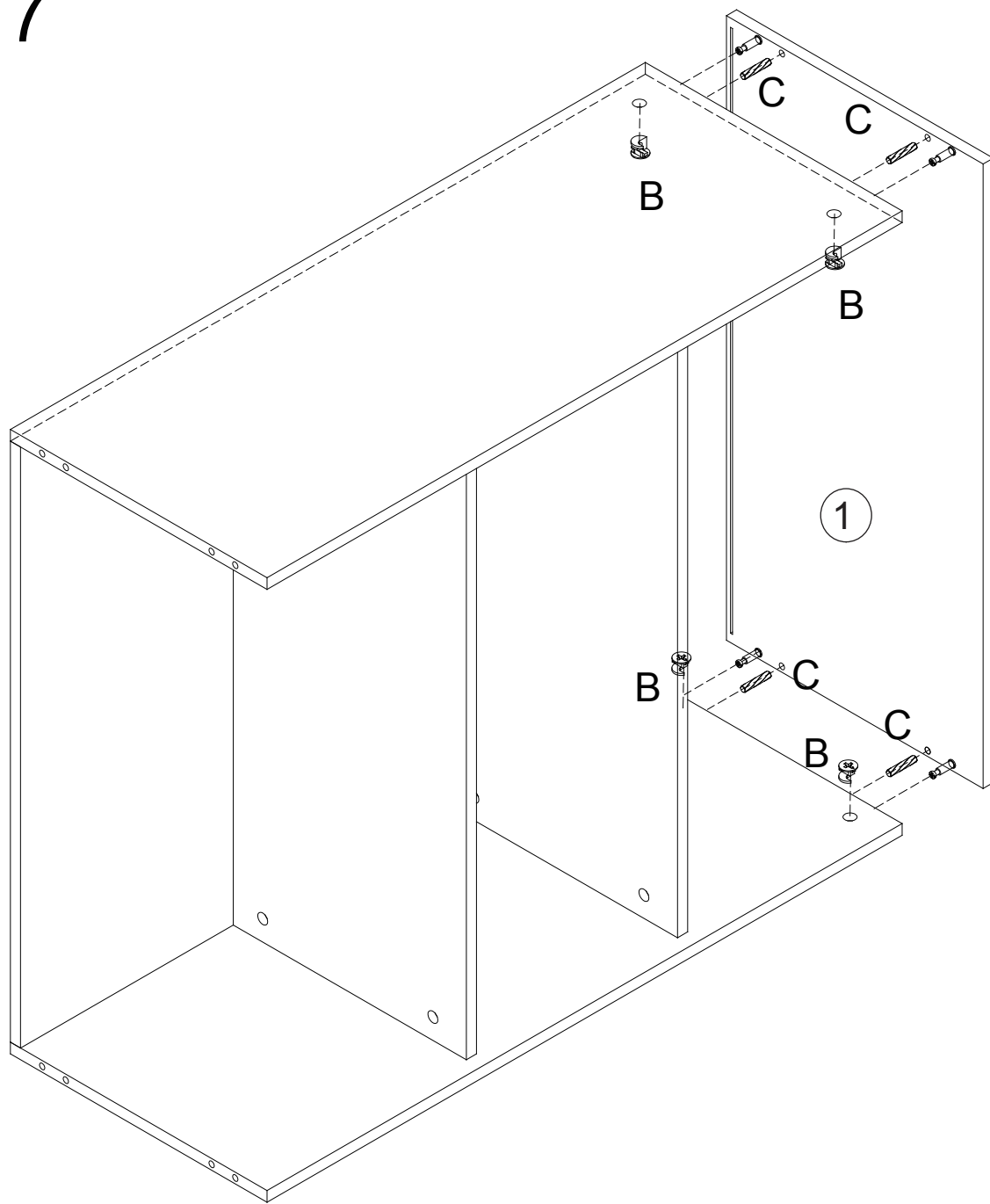
# STEP 5



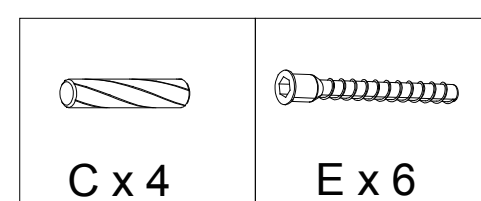
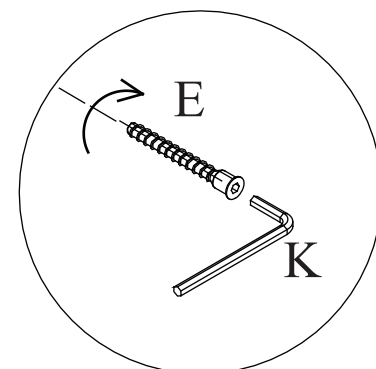
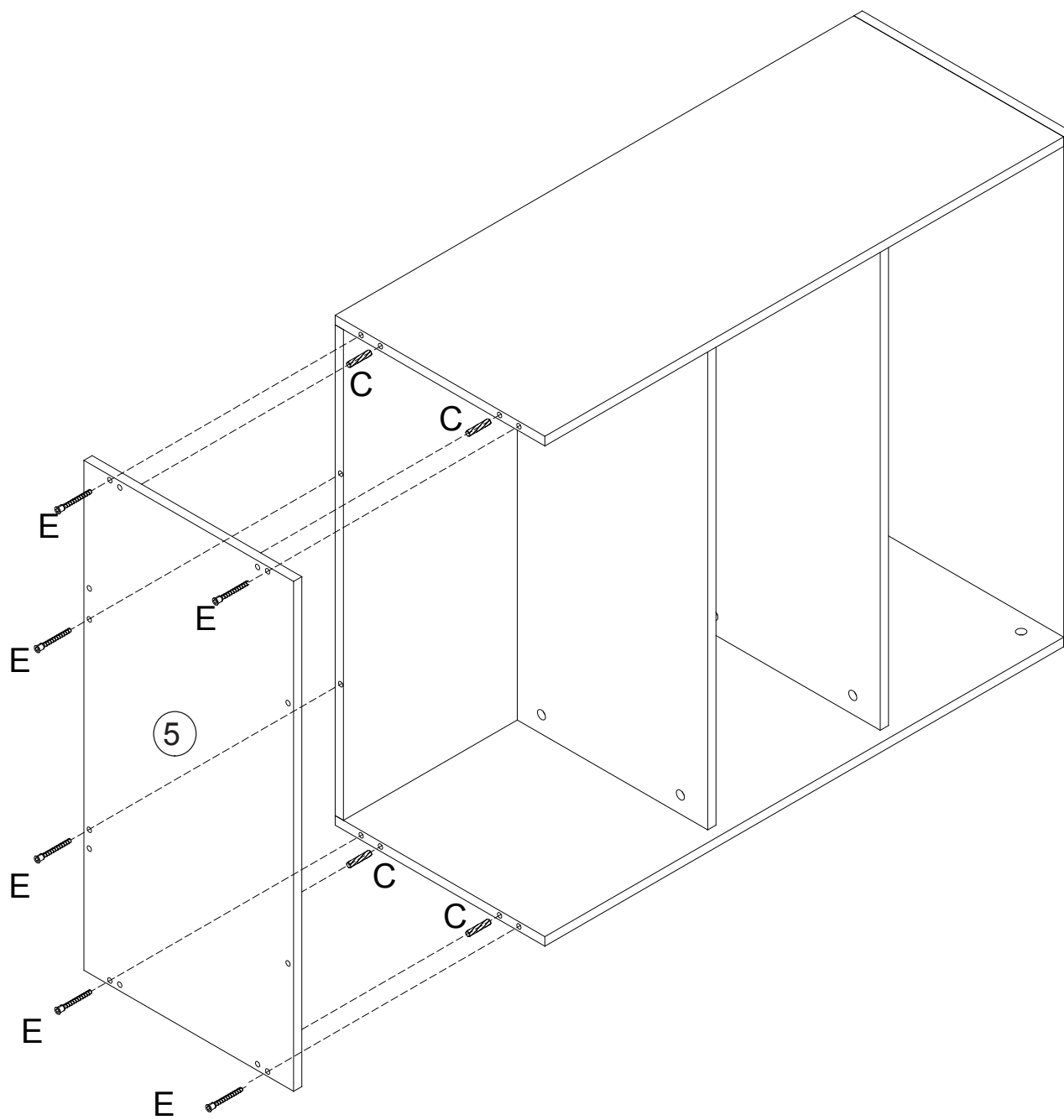
# STEP 6



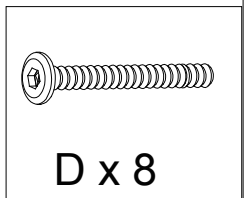
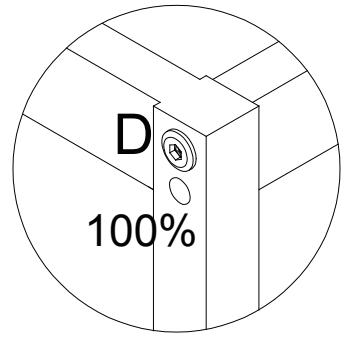
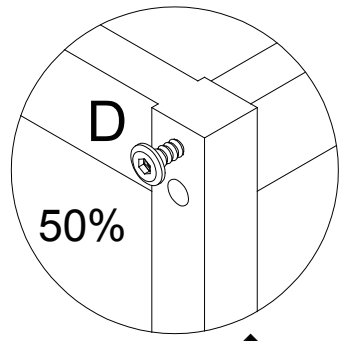
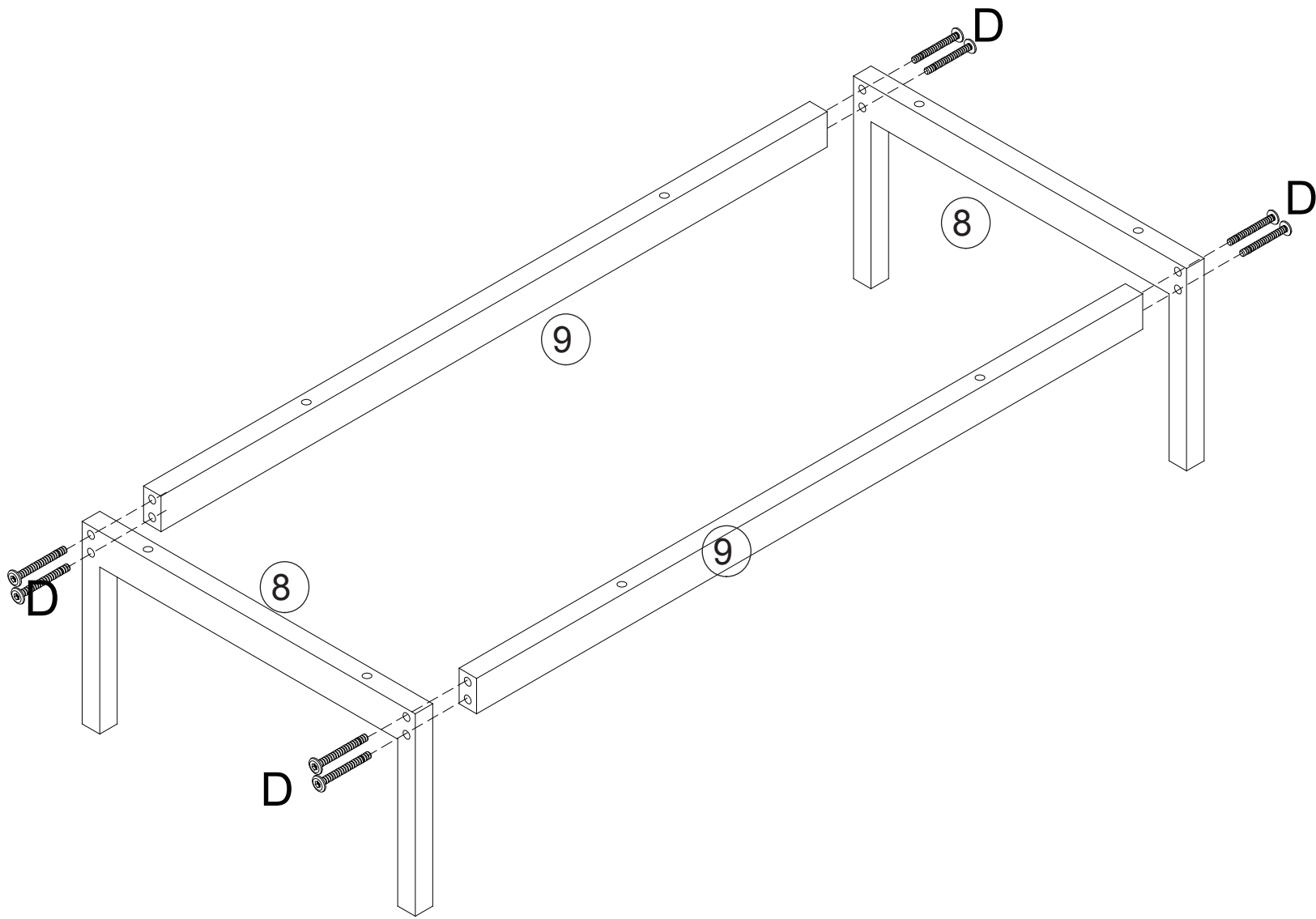
# STEP 7



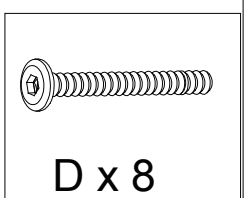
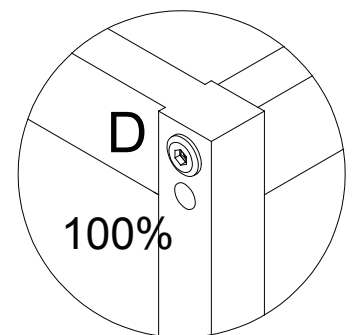
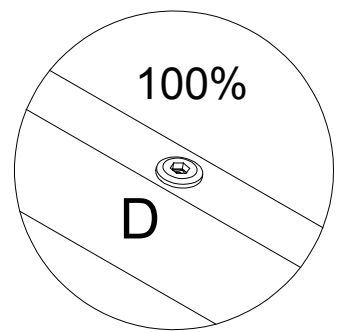
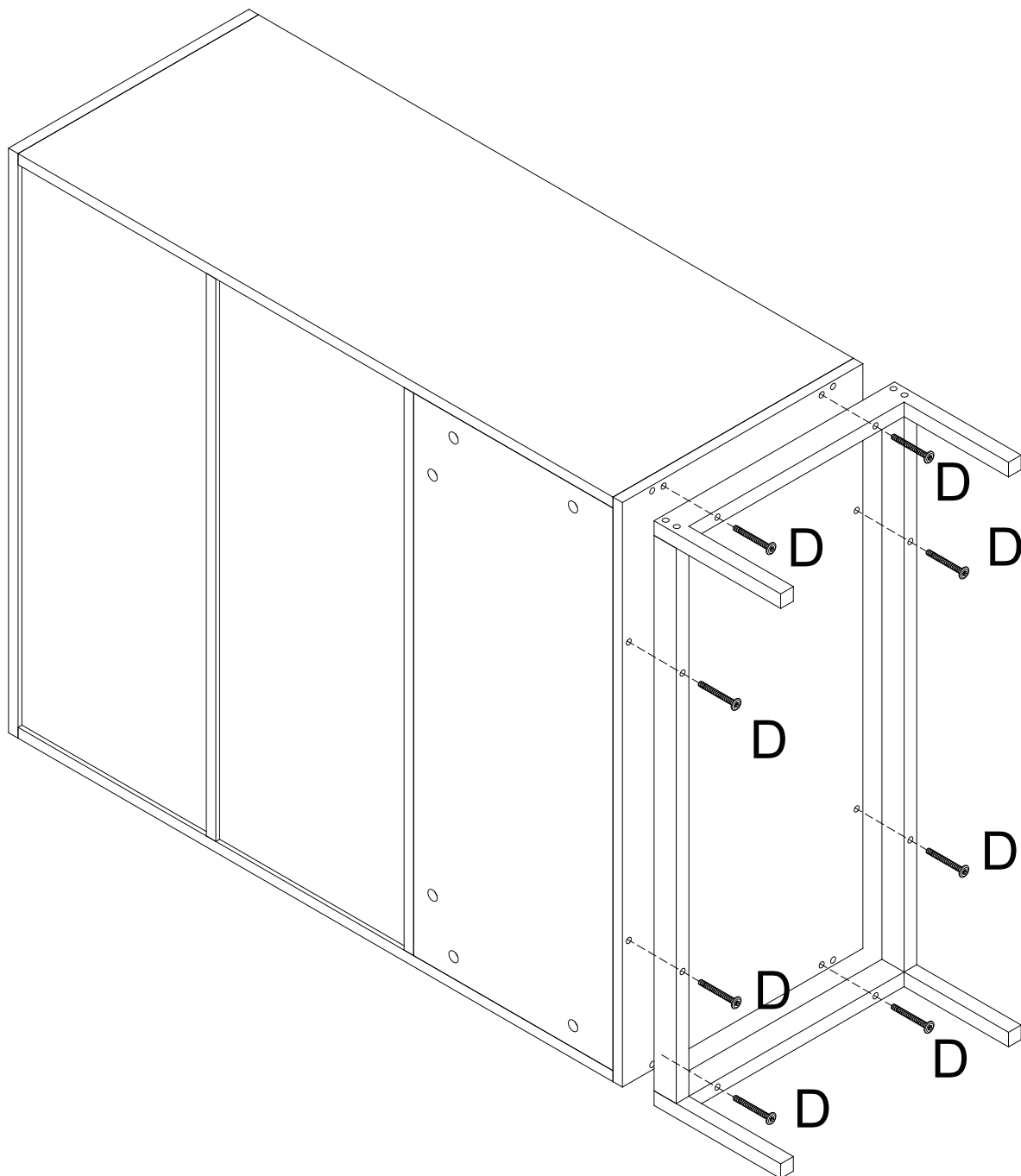
# STEP 8



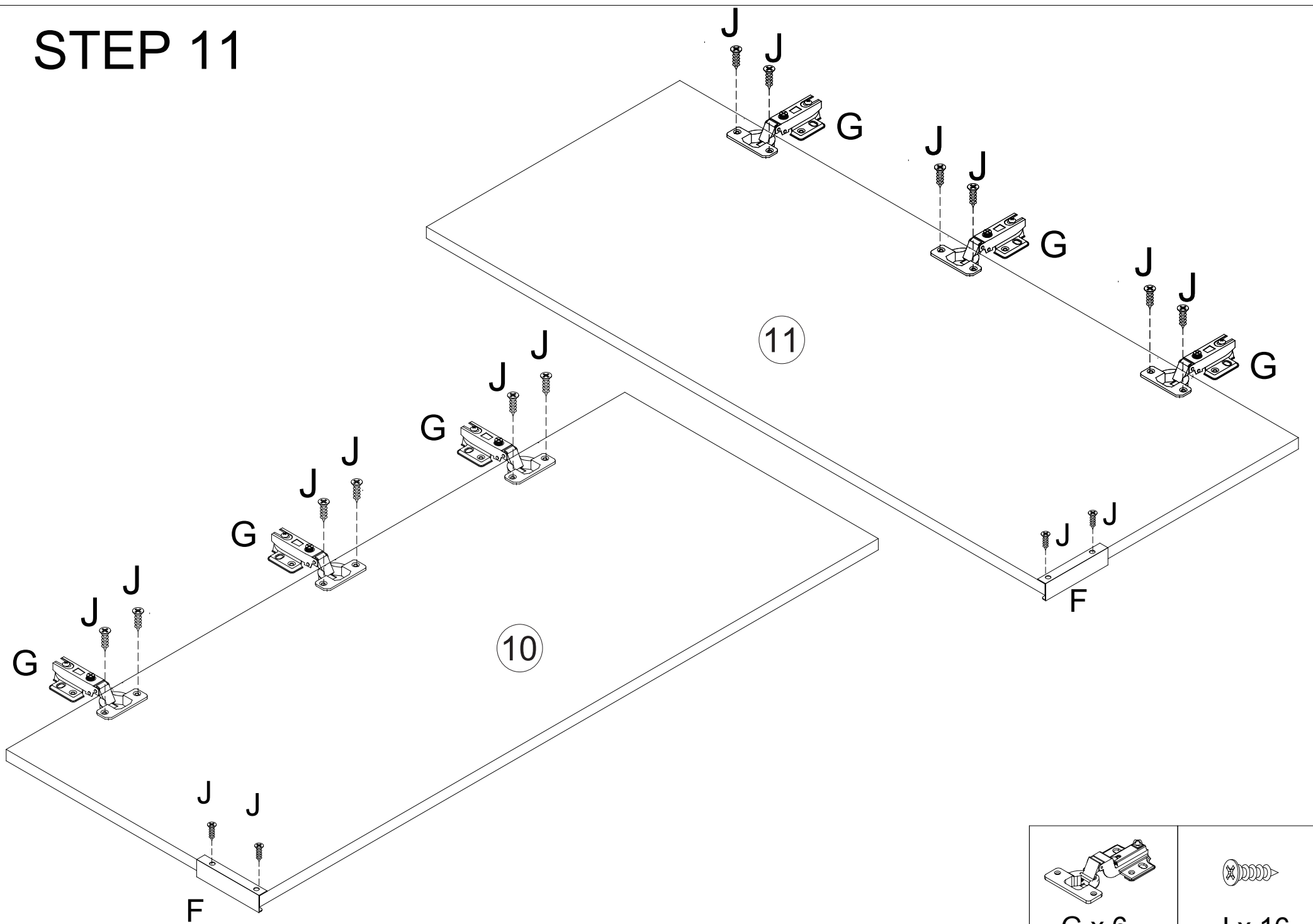
# STEP 9



# STEP 10

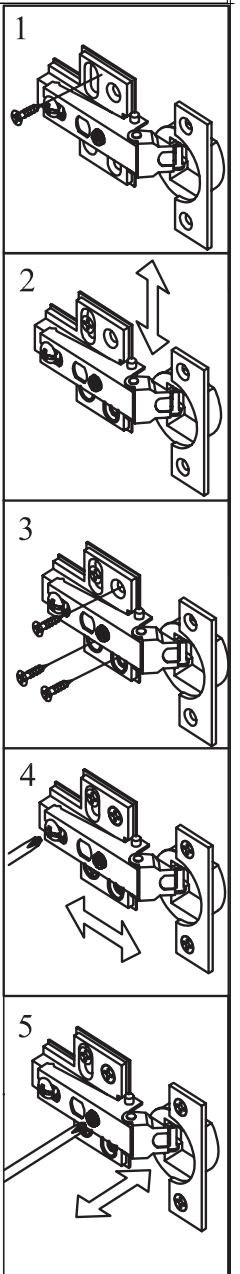
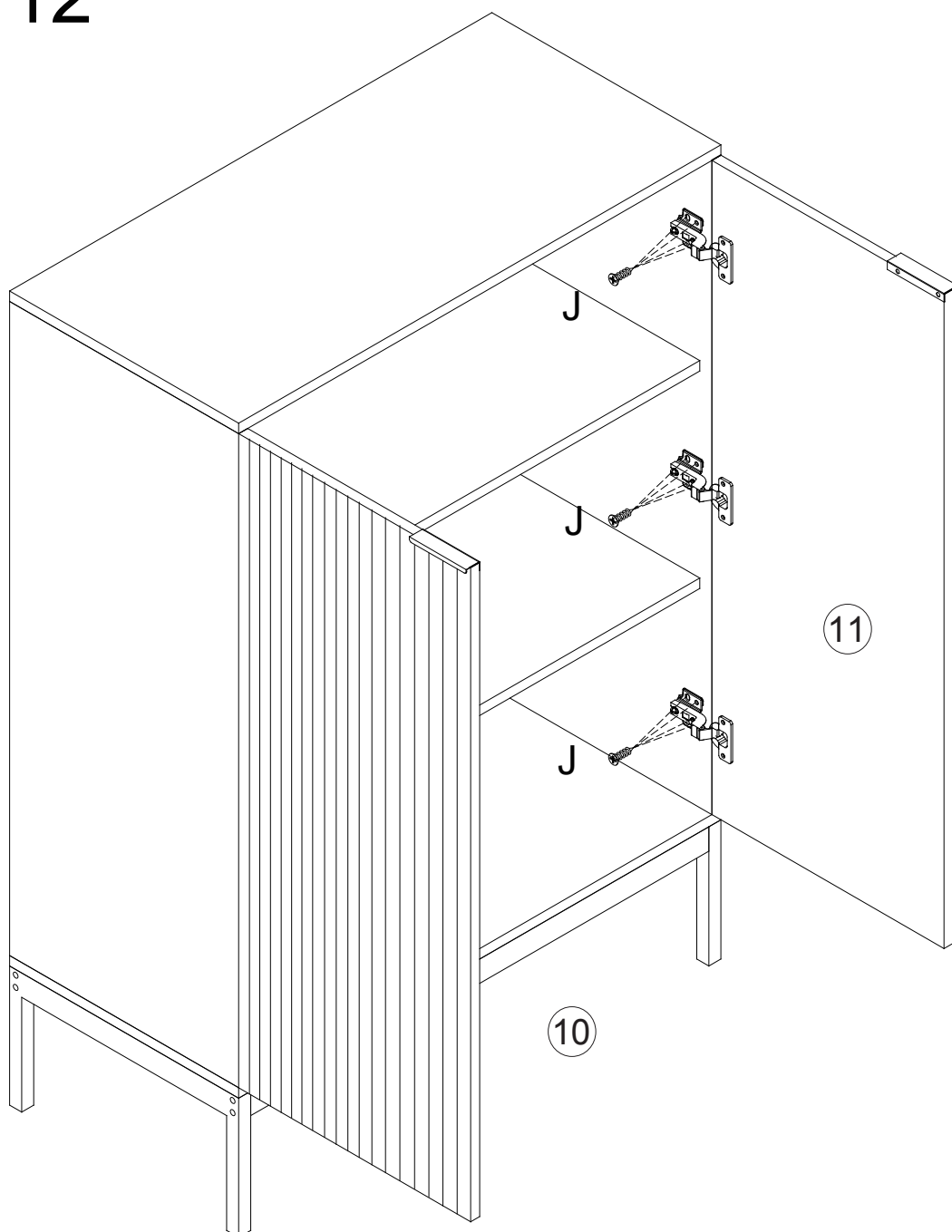


# STEP 11



G x 6	J x 16

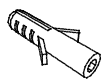
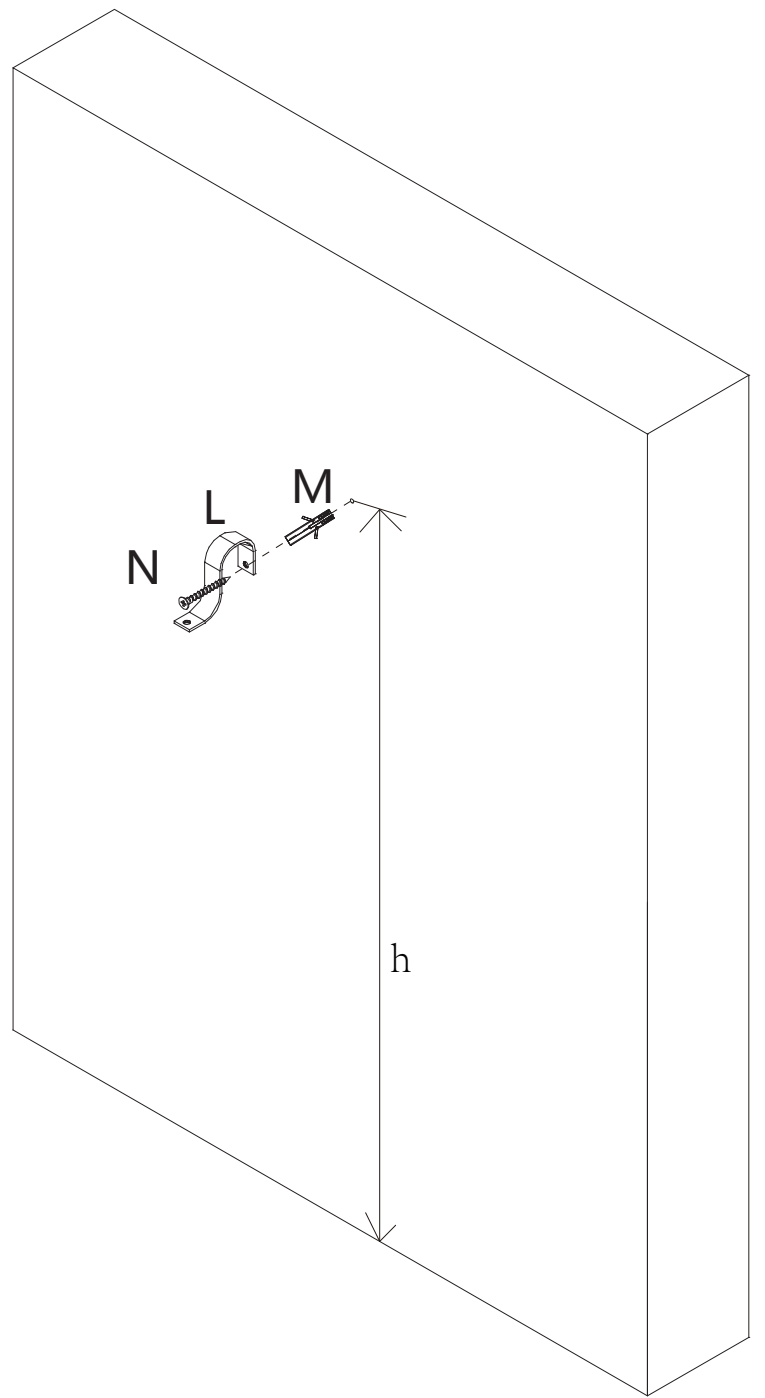
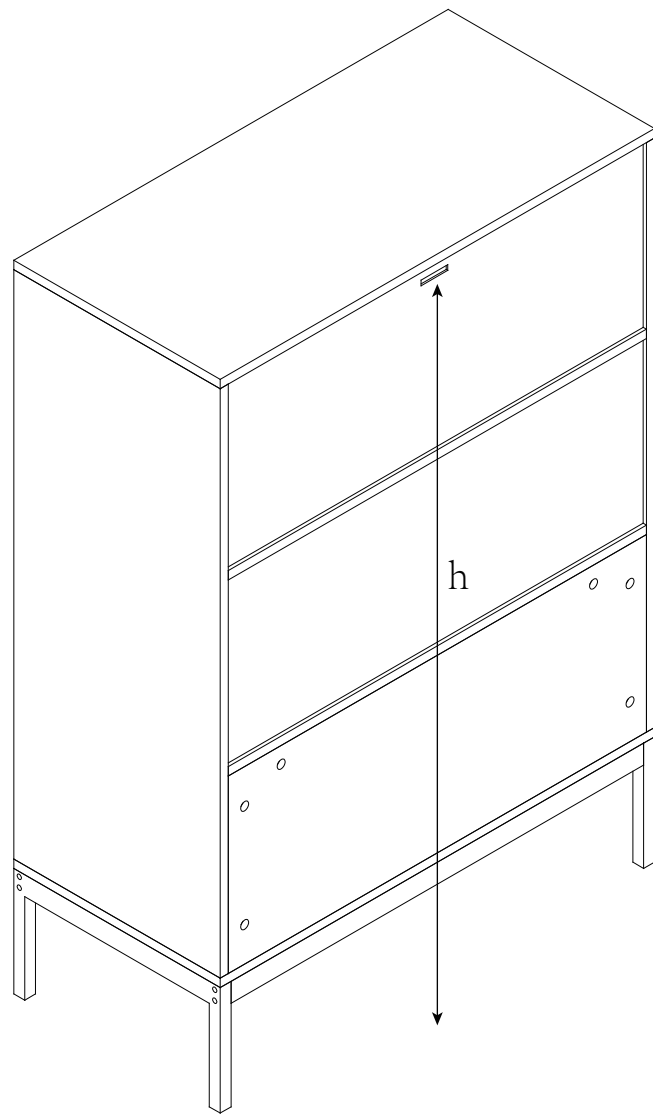
# STEP 12



J x 24



# STEP 13



M x 1

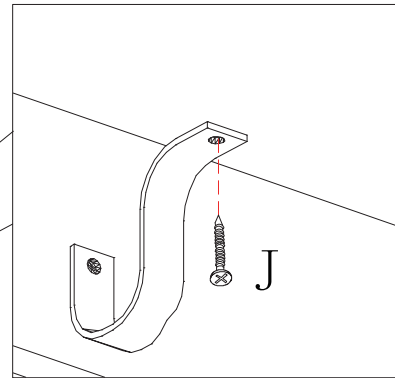
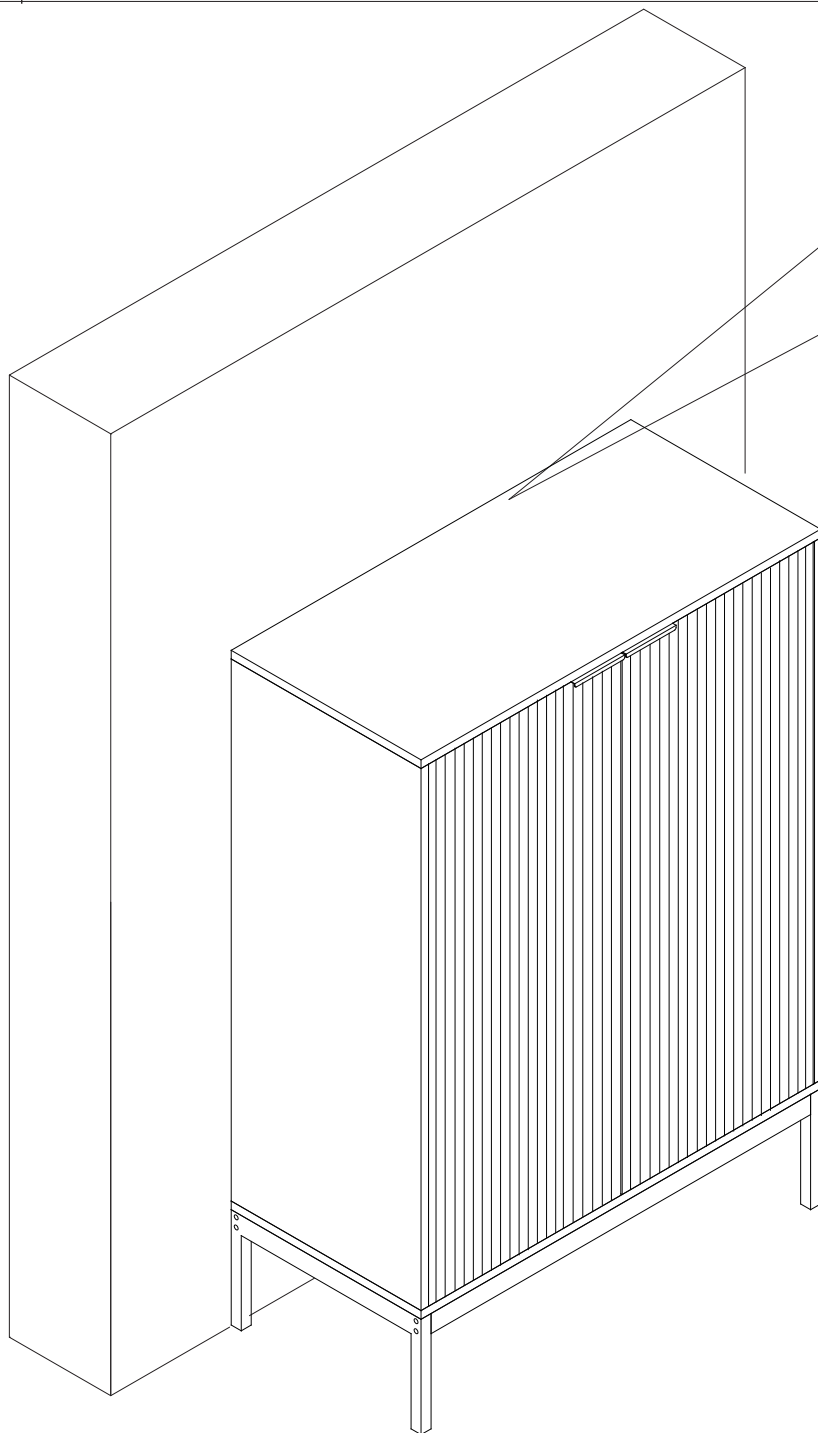


N x 1



L x 1

# STEP 14



J x 1